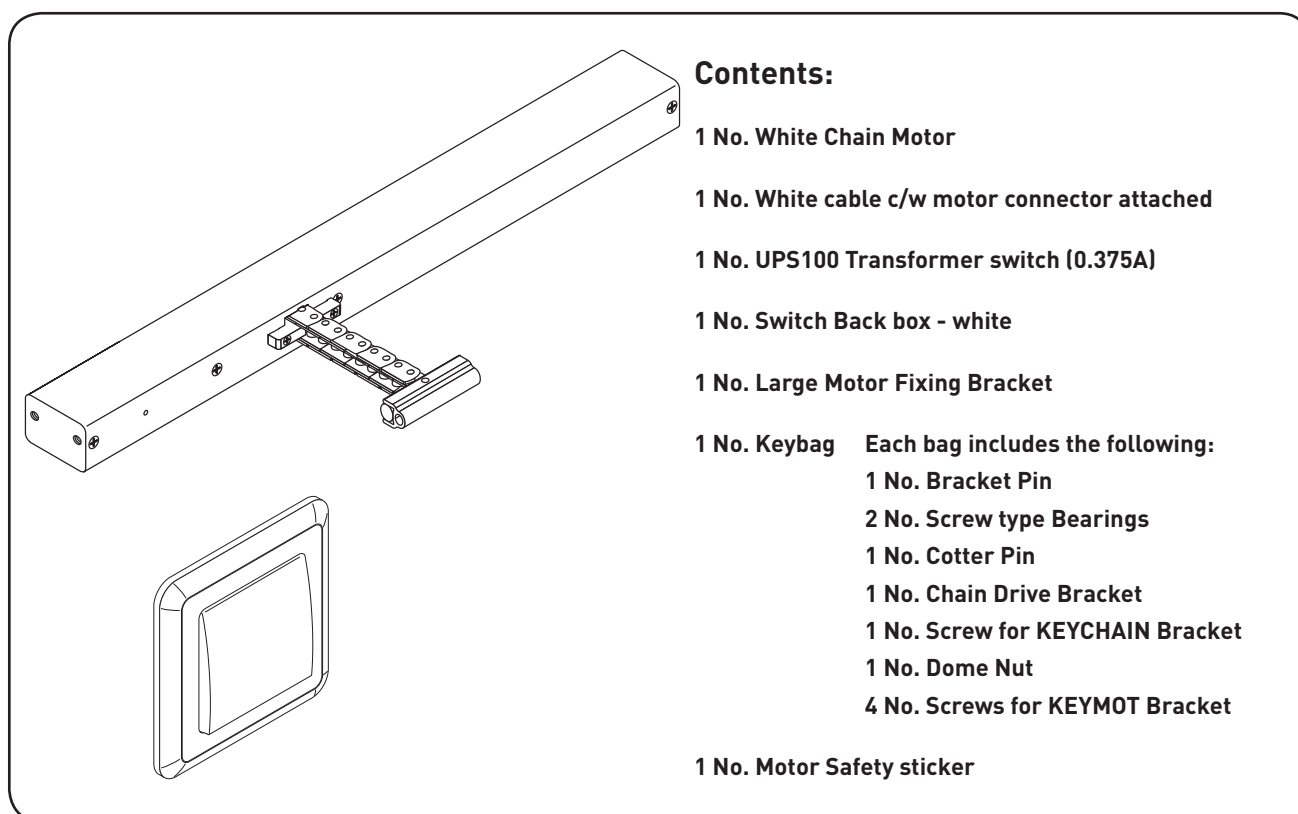


Standard Electric Kit Specification

SEK1W



SEK1W Standard Electric Motor Kit for 1 Keylite Roof Window

(Use instructions in conjunction with the wiring diagram attached)

The VCD22/25 chain motor and the 1870043 Transformer Switch are to be all wired together as shown on the wiring diagram.

Please ensure the yellow and green motor wires are not connected!

Please ensure the plug-in connector is fully "clicked" into the motor.

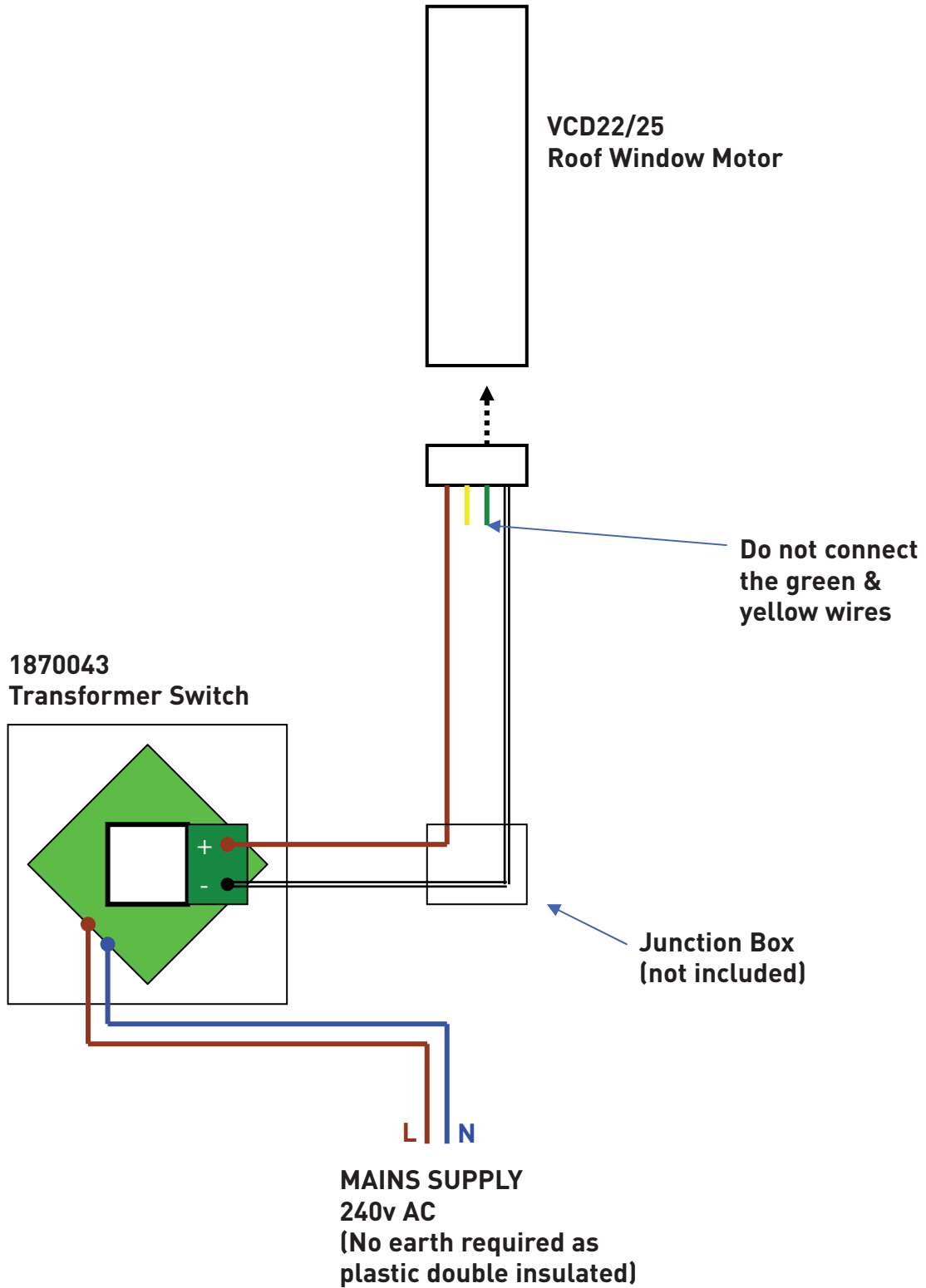
The switch will power the motor fully open/closed by depressing the button up/down. The motor can be stopped at any point by returning the switch to the centre position.

We recommend that the switch be returned to the centre position every time after operating to ensure no burn-out/overload.

SAFETY PRECAUTIONS:

Please ensure the following precautions when working/operating with any of the products:

1. Disconnect the main supply before carrying out any work.
2. Ensure no forces act on the switch terminals after installation.
3. There is a danger to life and risk of injury with electrically operated windows! The window motor stops by an electronic limit stop or overload cut-off. The resulting forces are strong enough to crush body parts.
Please attach the safety sticker to be clearly visible on the frame of the roof window.
Please ensure that occupants are aware that the window can be closed automatically or by a remote switch.
4. We recommend only a suitably qualified electrician should install and connect all electrical devices.



Wiring diagram for SEK1W

Standard Electric Motor Kit for
1 No. Keylite Roof Window