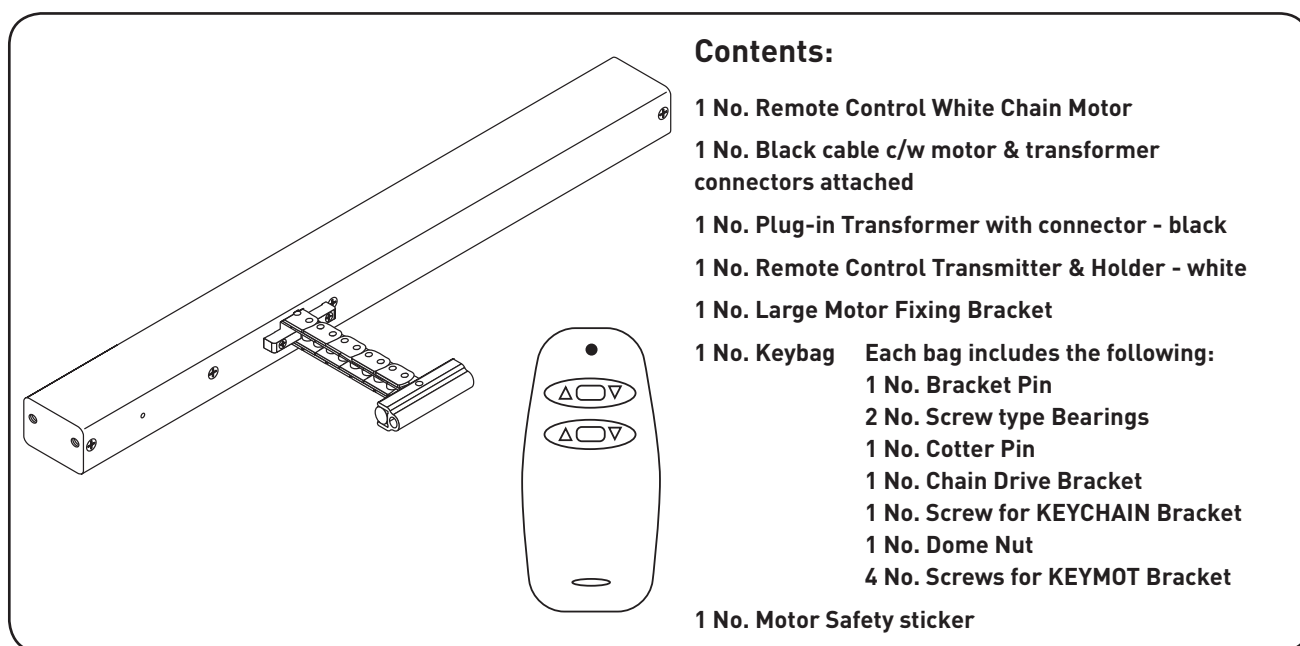


Luxury Electric Kit Specification

LEK1W



LEK1W Luxury Electric Motor Kit for 1 Keylite Roof Window

(Use instructions in conjunction with the wiring diagram attached)

The VCD22/25-RC chain motor and the 1870010 Switch (optional) are to be all wired together as shown on the wiring diagram. The optional switch can be surface or flush mounted. The switch does not need to be connected if the RCR10-2 remote control transmitter is only to be used.

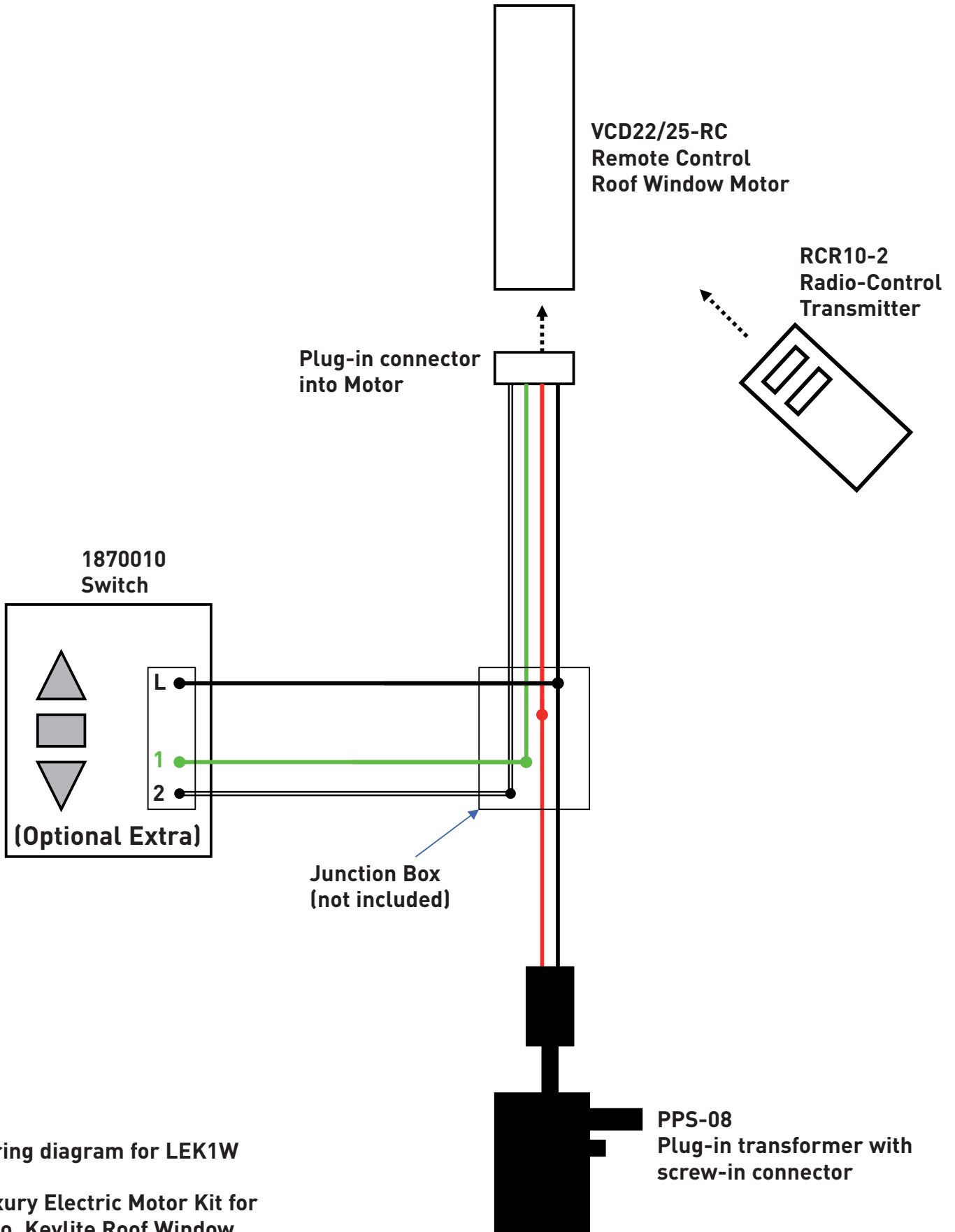
SAFETY PRECAUTIONS:

Please ensure the following precautions when working/operating with any of the products:

1. Disconnect the main supply before carrying out any work.
2. Ensure no forces act on the switch terminals after installation.
3. There is a danger to life and risk of injury with electrically operated windows! The window motor stops by an electronic limit stop or overload cut-off. The resulting forces are strong enough to crush body parts.
Please attach the safety sticker to be clearly visible on the frame of the roof window.
Please ensure that occupants are aware that the window can be closed automatically or by a remote switch.
4. We recommend only a suitably qualified electrician should install and connect all electrical devices.

FAULT FINDING:

| Problem: | Cause: | Remedy: |
|-----------------------------------|---|--|
| Remote control does not operate.. | LED doesn't flash when transmitter switches are pressed Range is too low | Exchange Transmitter Battery Operate Transmitter closer to motor. Ensure motor aerial not damaged. |
| Wall switch not operating..... | Switch connections incorrect | Check wiring & connections |
| Transformer LED not lit..... | No power from plug socket | Check mains power Unscrew cable connection. If LED now lit check cabling and junction box for short circuit |



Wiring diagram for LEK1W

Luxury Electric Motor Kit for
1 No. Keylite Roof Window